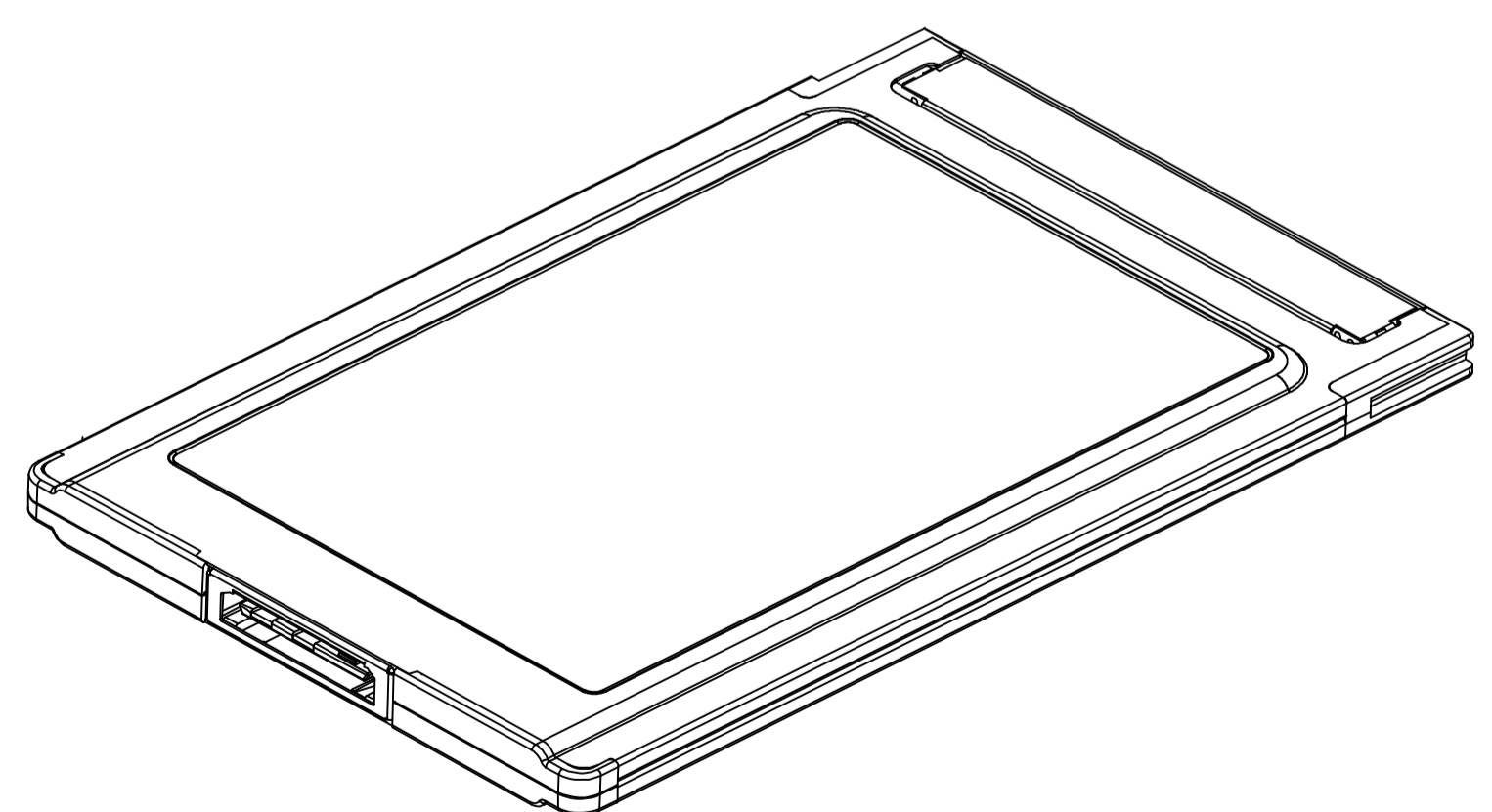
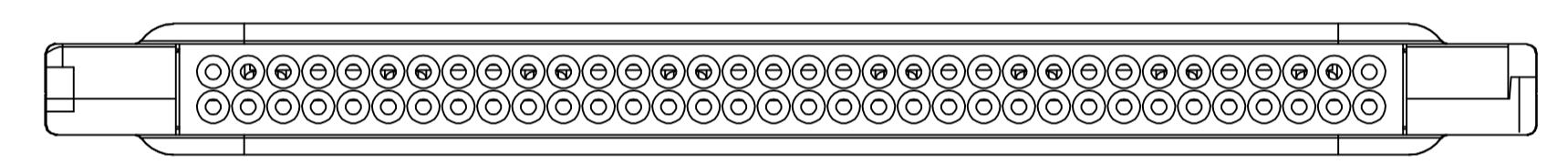
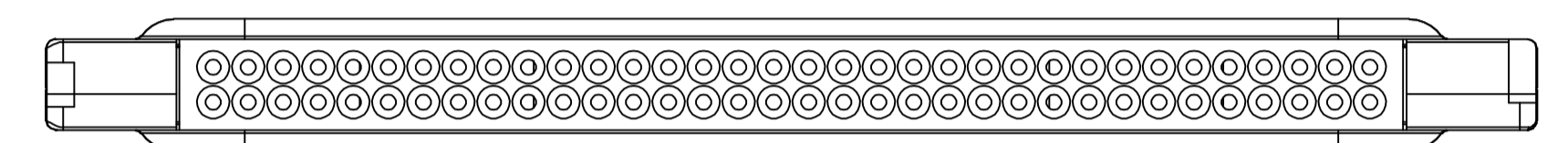
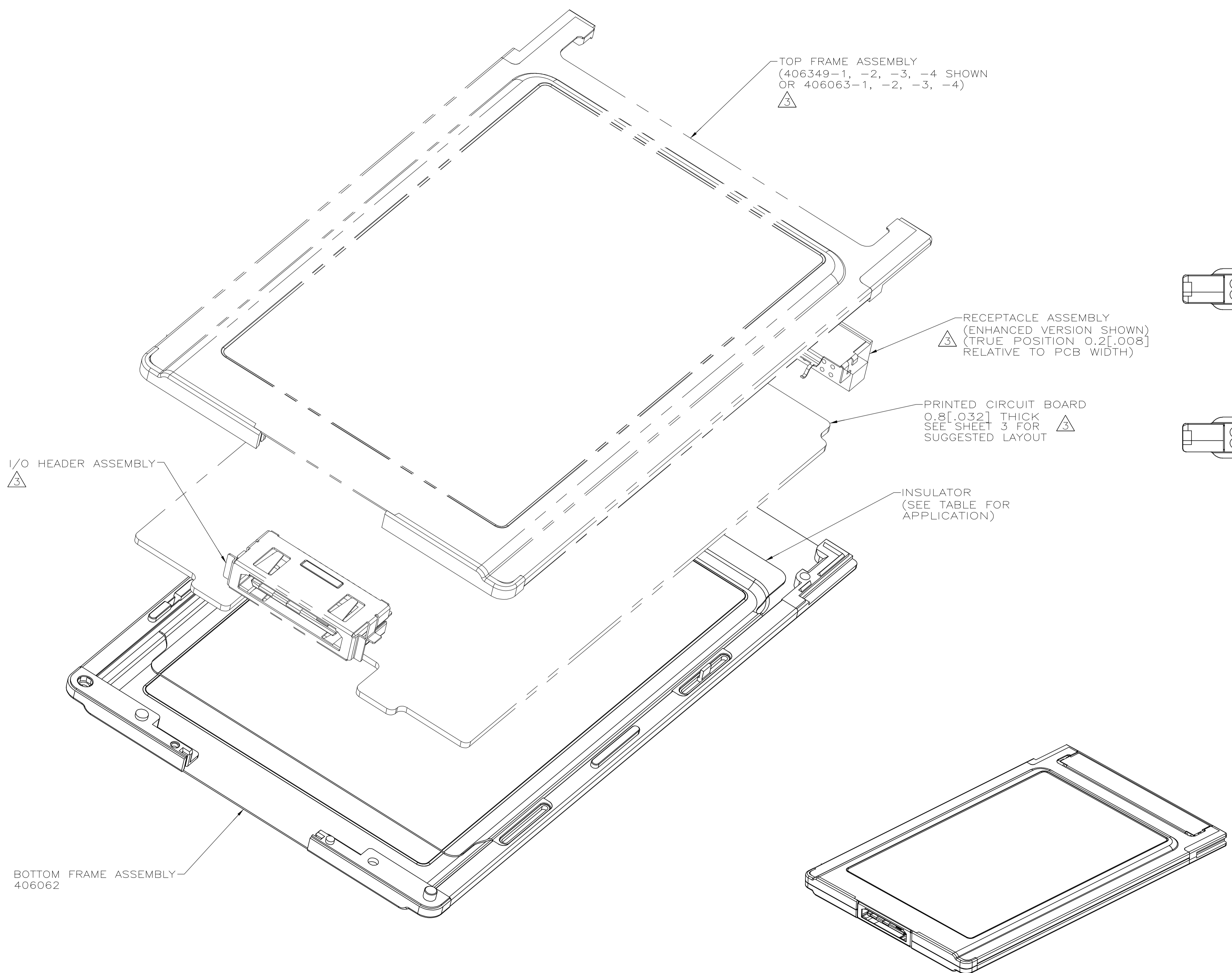


LOC	DIST	REVISIONS				
GP	00	REV	DESCRIPTION	DATE	BY	APPV
		D	REVISED PER EC 0513-0044-05	31JUL06	BM	DG

- △ MATERIAL: STAINLESS STEEL AND BLACK NYLON MOLDING COMPOUND.
- 2. FRAME ASSEMBLY CONFORMS TO PCMCIA DIMENSIONAL STANDARDS.
- △ ITEMS INDICATED ARE SHOWN FOR REFERENCE ONLY TO SHOW RELATIONSHIP OF FRAME ASSEMBLY 406062 IN COMPLETELY ASSEMBLED PCMCIA CARD.
- △ RECESSED AREA SHALL ACCOMODATE A LABEL SIZE OF 38.6[1.52] X 63.8[2.51] X 0.08[.003] MAXIMUM THICKNESS.
- △ DIMENSION APPLIES TO AREA UNDER LABEL RECESS.

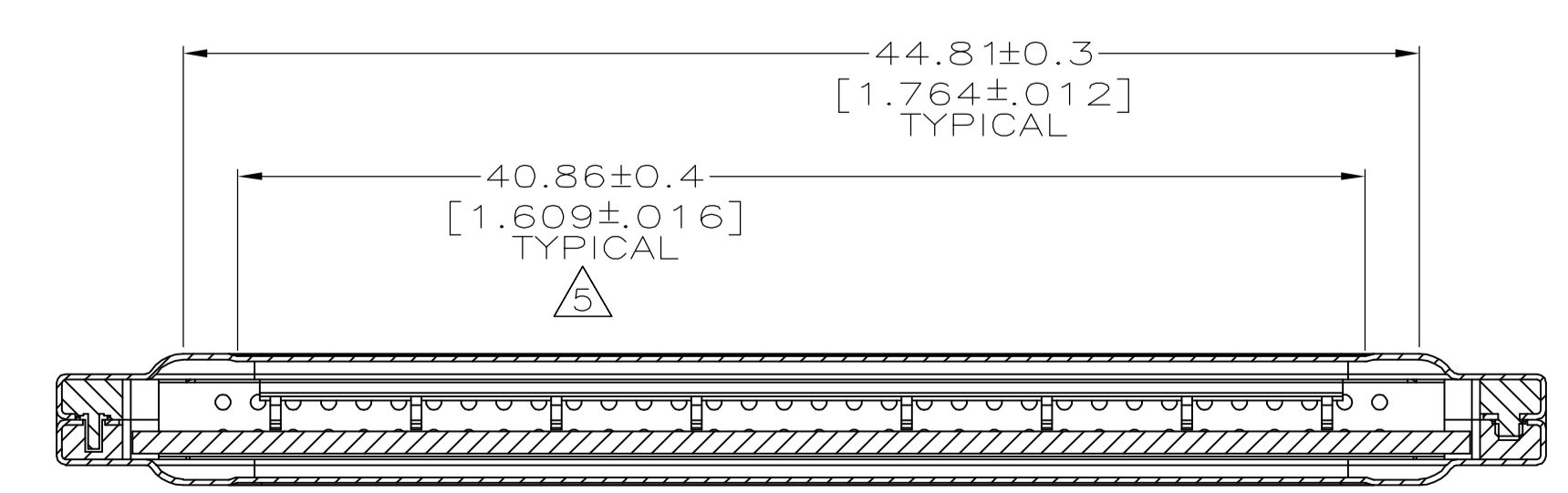
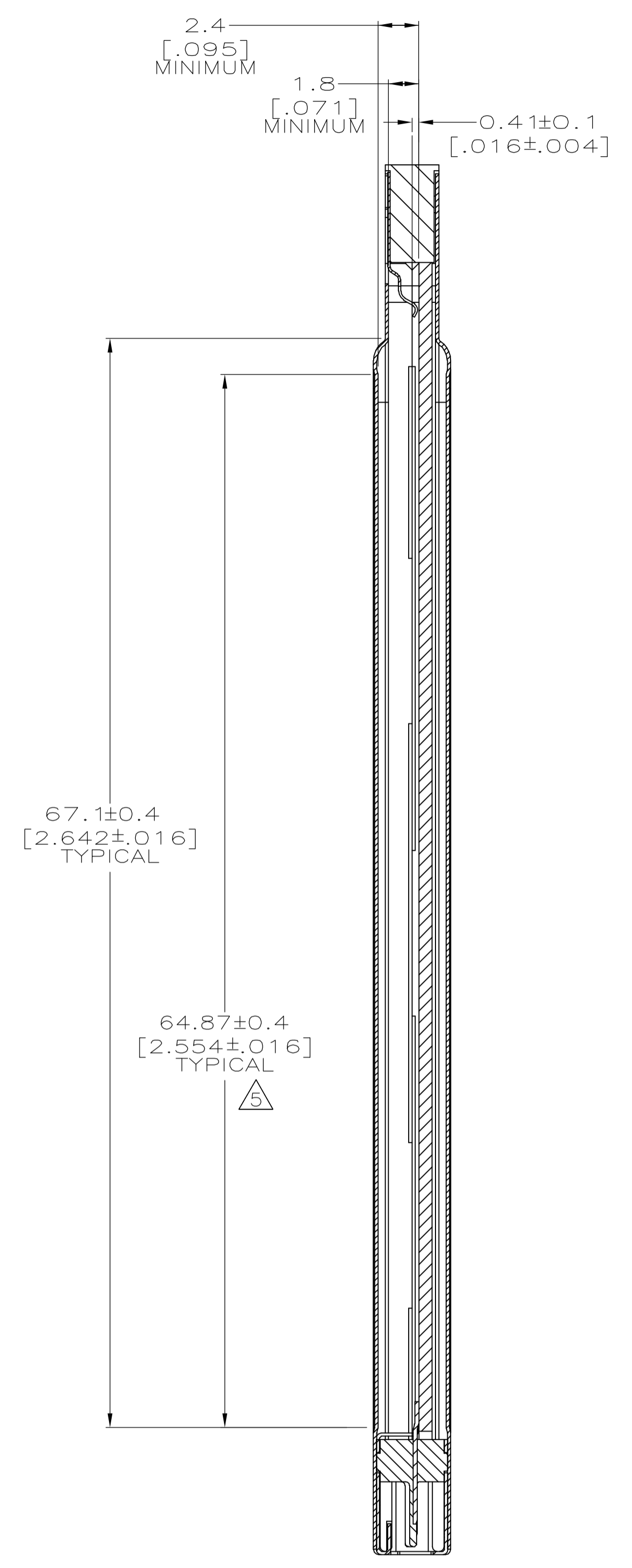
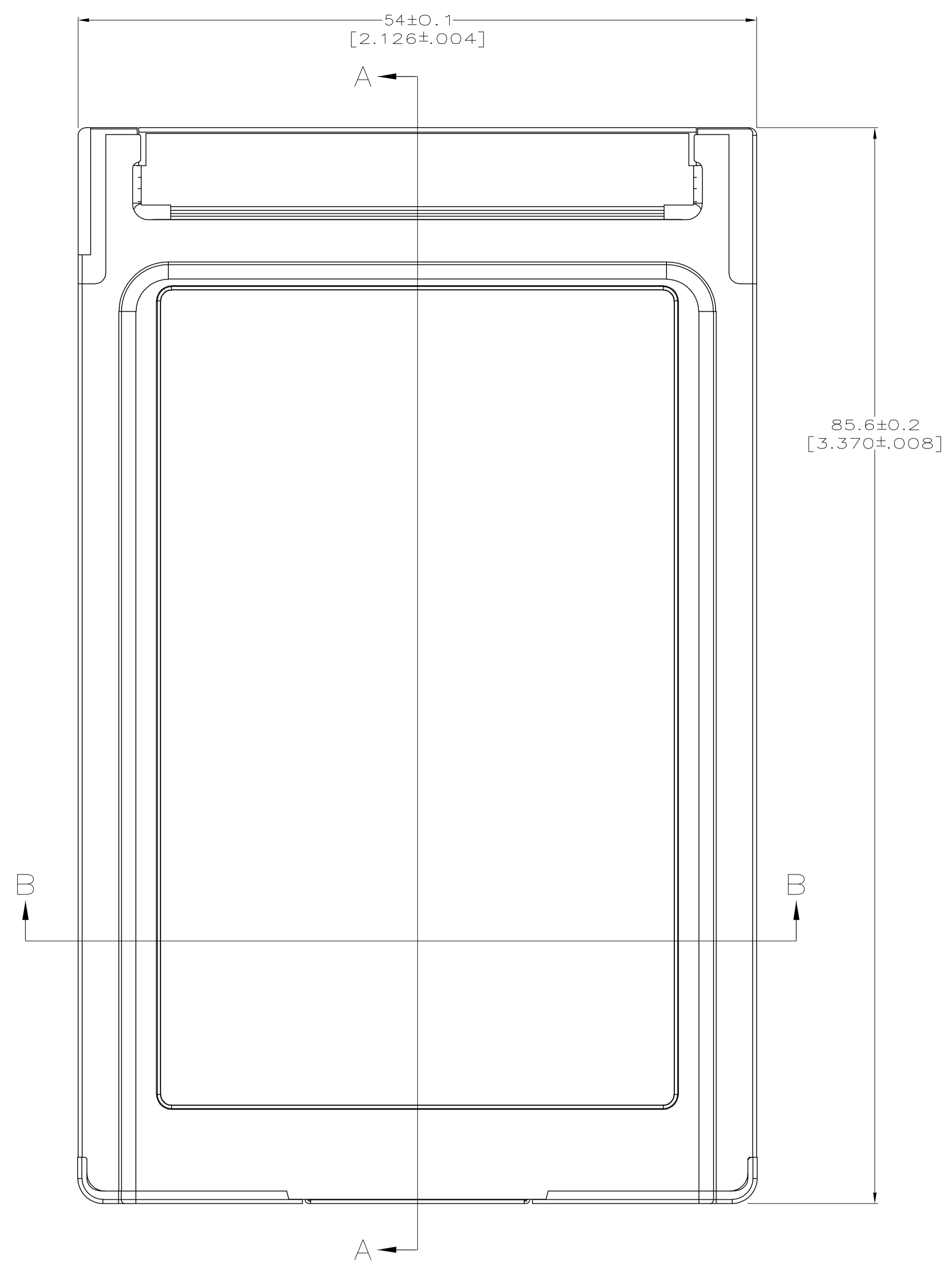


PART STATUS	KEY	DESCRIPTION	PART NUMBER
OBSOLETE	LV	WITHOUT LABEL RECESS INSULATED	406062-8
OBSOLETE	LV	△ WITH LABEL RECESS INSULATED	406062-7
OBSOLETE	LV	WITHOUT LABEL RECESS	406062-6
NOT AVAILABLE	LV	△ WITH LABEL RECESS	406062-5
OBSOLETE	5V	WITHOUT LABEL RECESS INSULATED	406062-4
AVAILABLE	5V	△ WITH LABEL RECESS INSULATED	406062-3
OBSOLETE	5V	WITHOUT LABEL RECESS	406062-2
NOT AVAILABLE	5V	△ WITH LABEL RECESS	406062-1

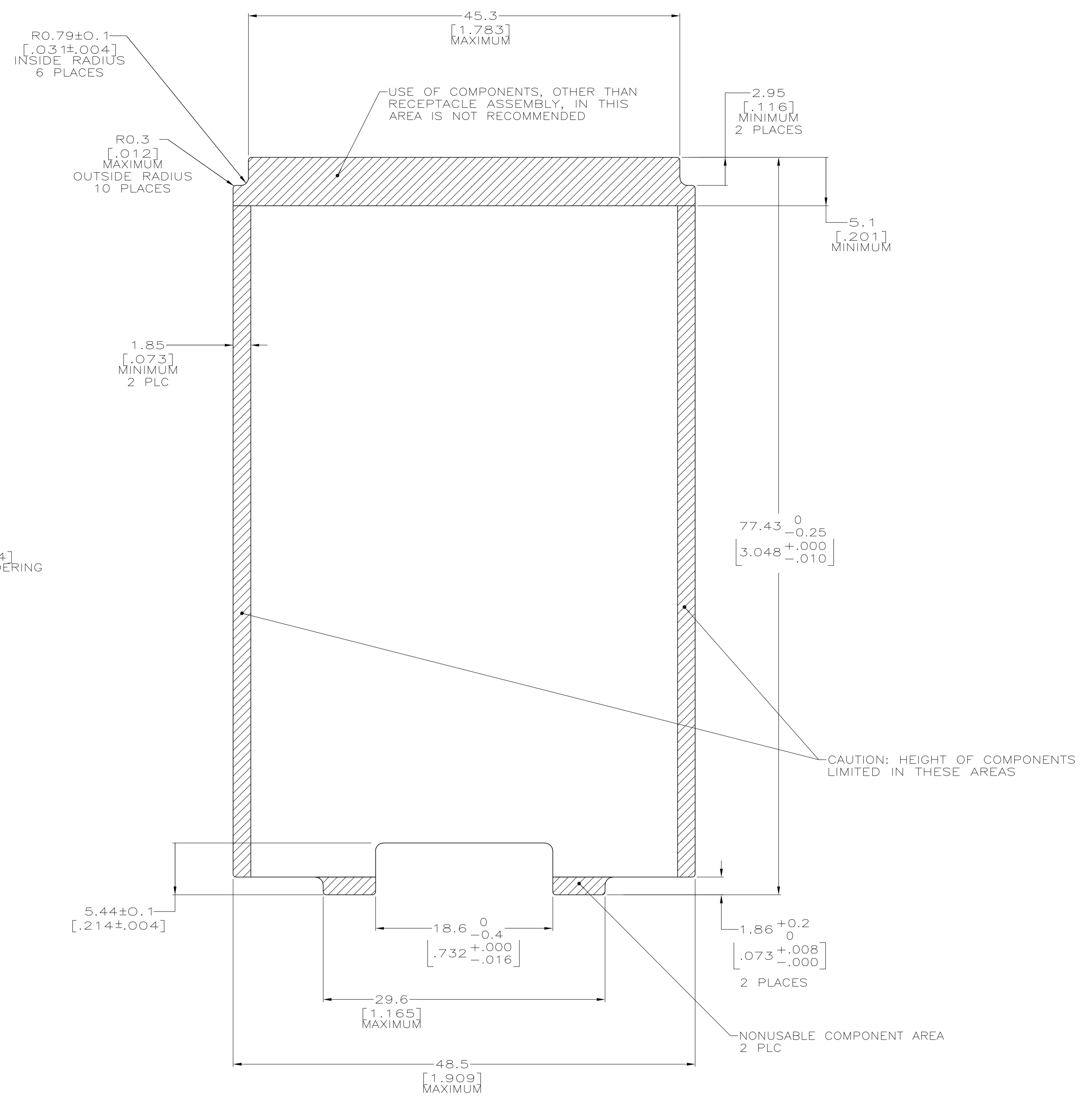
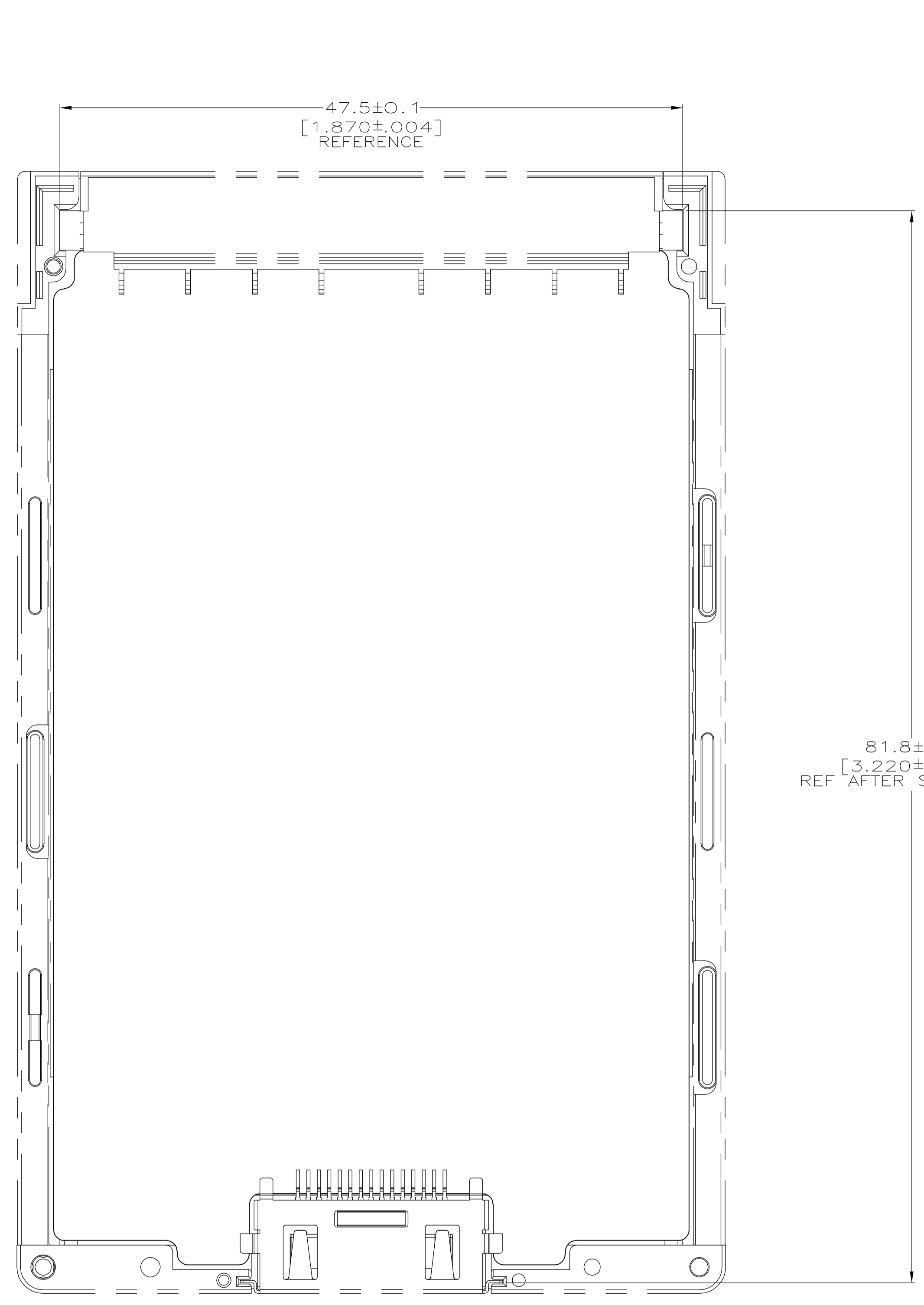
THIS DRAWING IS A CONTROLLED DOCUMENT.

DIMENSIONS: mm [INCHES]	TOLERANCES UNLESS OTHERWISE SPECIFIED:	0 PLC ± .005	1 PLC ± .005	2 PLC ± .005	3 PLC ± .005	4 PLC ± .005	ANGLES ± .005	FINISH
MATERIAL		APPROVED BY: R. SIMMONS		DATE: 02JUN97		NAME: R. SIMMONS		RESTRICTED TO
CUSTOMER DRAWING		SCALE: 4:1		SHEET: 1 OF 3		REV: D		

DWN: B. HOLTZCLAW 13JAN97
 CHK: T. SPRINKLE 02JUN97
 APVD: R. SIMMONS 02JUN97
 Tyco Electronics Corporation, Harrisburg, PA 17105-3608
 FRAME ASSEMBLY, TYPE II, SONIC WELD, BOTTOM
 SIZE: A1 00779 C=406062
 WEIGHT: ---



THIS DRAWING IS A CONTROLLED DOCUMENT.		DWG B. HOLTZCLAW	13JAN97		Tyco Electronics Corporation Harrisburg, PA 17105-3608
DIMENSIONS: mm [INCHES]		CHK T. SPRINKLE	02JUN97		NAME R. SIMMONS
TOLERANCES UNLESS OTHERWISE SPECIFIED:		PRODUCT SPEC		APPLICATION SPEC	RESTRICTED TO
0 PLC ± -		1 PLC ± -		SIZE A1	CAGE CODE 00779
1 PLC ± -		2 PLC ± -		DRAWING NO C=406062	SCALE 4:1
2 PLC ± -		3 PLC ± -		WEIGHT	SHEET 2 OF 3
3 PLC ± -		4 PLC ± -		CUSTOMER DRAWING	REV D
ANGLES ± -		FINISH			



PC BOARD LAYOUT – SUGGESTED

THIS DRAWING IS A CONTROLLED DOCUMENT.		DWG B. HOLTZCLAW 13JAN97		Tyco Electronics Corporation Harrisburg, PA 17105-3608
DIMENSIONS: mm [INCHES]		CHK T. SPRINKLE 02JUN97		APVD R. SIMMONS 02JUN97
TOLERANCES UNLESS OTHERWISE SPECIFIED:		PRODUCT SPEC		SIZE A1
0 PLC ± -		APPLICATION SPEC		CAGE CODE 00779
1 PLC ± -		MATERIAL		DRAWING NO 406062
2 PLC ± -		FINISH		RESTRICTED TO
3 PLC ± -		WEIGHT		SCALE 4:1
4 PLC ± -		CUSTOMER DRAWING		SHEET 3 OF 3
ANGLES ± -		SCALE		REV D